

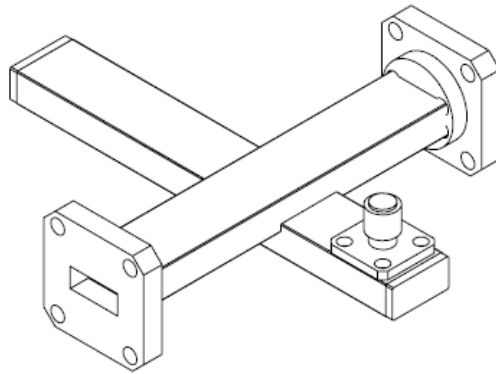


RF Components

Model Number:
WGC-XX-197082

Ku-Band Cross Guide Coupler

12.40 - 18 GHz



Specification			
WG Size	WG18 / WR62 / R140		
Coupling	20±1.5 dB	30±1.0 dB	40±1.0 dB
Frequency Range	12.40-18.00 GHz		
Finish	Brass Flanges Copper WG Black Paint		
Flange Options	UG 541A/U (UG) / UG 419/U (UF) PDR 140 (PD) / UDR 140 (UD) CBR 140 (CB) / PBR 140 (PB) UBR 140 (UB) / UG 419/U (US)		
RF Connector Options	50 Ω SMA Male (S4) /Female (S5) 50 Ω N-type Male (N4) /Female (N5)		
Main Line VSWR / Return Loss (max)	1.3:1 / 17.4	1.2:1 / 20.4	1.05:1 / 32.3
Directivity (typ)	20 dB	20 dB	20 dB
Dimensions	A-110mm B-75mm C-9mm		

Model Numbers						
Example: WGC-20-197056-UBPBN5						
WG	C	20	197056	UB	PB	N5
Waveguide	C-Cross Guide D-Dual Arm B-Broad wall	Coupling Factor	Model Number	Flange 1	Flange 2	RF connector

Broadcast



Marine Oil & Gas



SNG & VSAT



Satellite Teleport

